

Spindle Drive NTS1

Application

For industrial, building, machine, furniture and vehicle construction and especially for special applications.

Description

The spindle drive NTS1 consists of a spindle and a powerful gear motor. An integrated control unit automatically switches off the drive in the end positions as well as in case of obstacles (load cut-off). The advantage of this drive is that it can be adapted to your requirements. Thus, potential-free signal contacts are optionally available in the end positions.

- Extended stroke continuously adjustable. Stroke sizes: 100/150/200/300/400/500/600mm (> strokes on request).
- Max. Speed: 13mm/sec in the 500N version, 37mm/sec. in the 300N version and 3mm/sec in the 1000N and 1500N version.
- IP55, NRWG and RWA suitable, CE and ROHS compliant.
- Group switching relay at 230VAC is not required.
- Tandem operation of two drives as option.
- Limit switching OPEN/CLOSED via microswitch and additional load cut-off.
- Very narrow only 44mm.
- Colour: Silver anodized EV1 (RAL colours on request).
- With complete mounting accessories (sliding swivel mounting bracket and hinge brackets)

Montage

The spindle drive NTS1 is mounted into the dovetail rail by means of sliding blocks and U-brackets. A rigid bracket for screw mounting is also available. For further information, please refer to the operating instructions, which can be found on our homepage.

Electrical Outlet

19 - 30 VDC voltage (in the 24V direct current version),
or 190 - 265 V 50Hz (in the 230V alternating current version)

Scope of delivery

- spindle drive with 1m connection
- U- BÜgel und 2 Nutensteine, sowie alle Befestigungsschrauben

Synchronous version

Both drives run absolutely synchronously. If one stops or switches off, the other is also stopped.

Maintenance

The spindle drive NTK1 is maintenance-free during its lifetime.

Accessoires

Remote control:

Article no. 2211118, GO-1 handheld transmitter 1-channel, ETR radio system (433 MHz)

Article No. 2211016, GO-er External Receiver, ETR Radio System (433 MHz)

Technical data

voltage/ current:	24VDC/1A
voltage/ current:	230VAC/0,2A
push-, pull force:	200 / 350 / 500 / 1000 / 1500N
Static force:	2000N
stroke:	up to 600mm
speed:	max. 37mm/sec
protection:	IP55 (>on demand)
duty cycle:	50%
Temperature range:	-20°C bis +60°C

Your advantages as a customer?

«Our products are unique in this market due to their regional production, their sustainable, recyclable and durable material, as well as the in-house repair service»

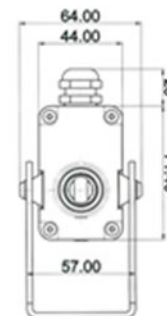
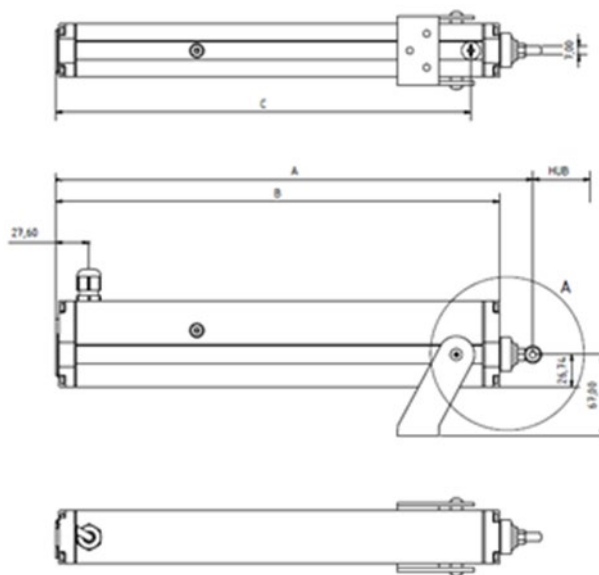
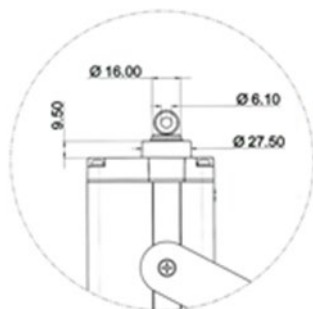
- Pietro Del Sorbo (Management)



Spindle Drive NTS1

Technical dimension

Wide 44mm x High 71,4mm x Large Hub + 183mm



Model code

Typ code	N	T	S	1
1 Typ				
Spindle actuator ⇒			S	
Typ ⇒				1
2 Hub				
Stroke 100mm ⇒	0	1	0	0
Stroke 150mm ⇒	0	1	5	0
Stroke 200mm ⇒	0	2	0	0
Stroke 300mm ⇒	0	3	0	0
Stroke 400mm ⇒	0	4	0	0
Stroke 500mm ⇒	0	5	0	0
NEU: Hub 600mm ⇒	0	6	0	0
3 Spannung				
Voltage 12VDC ⇒	0	1	2	
Voltage 24VDC ⇒	0	2	4	
Voltage 115V 50/60Hz ⇒	1	1	5	
Voltage 230V 50/60Hz ⇒	2	3	0	
4 Kundenspezifische Anpassungen				
(Standard) force 600N ⇒				0
force 1000N - 3mm/sec. (only at 300mm stroke) ⇒				1
force 1500N - 3mm/sec. (only at 200mm stroke) ⇒				2
force 350N - 13mm/sec. ⇒				3
force 200N at 230V / 300N at 24V - 37mm/sec. ⇒				4
force 1000N - 13mm/sec. (until 300mm stroke) ⇒				5
Synchron ⇒				2
Potfree Signalkontakt OPEN / CLose ⇒				1
Option ⇒	0	0	0	

